

S-MOUNT SERIES (S22/S44/S64)

Features

- Low resonant transmissibility
- 2 stage air-damping
- Low natural frequency isolation
- Axial to radial stiffness ratio of 4:1
- Fail safe construction

Benefits

- Up to 90% isolation efficiency with inputs as low as 40 Hz.
- Variable air-damping provides increasing isolation efficiency in high-frequency regions, even when input excursions become small

Load Range

- S22 = 6 load ratings from .3 - 3 lbs. per mount
- S44 = 7 load ratings from .25 - 9 lbs. per mount
- S64 = 7 load ratings from 2.0 - 35 lbs. per mount

Low-frequency variable air-damped mounts for a high level of vibration isolation.



Barry S-Mounts are air-damped isolators and are designed to provide the highest degree of vibration isolation for sensitive commercial and military airborne equipment. S-Mounts are particularly effective at isolating low level vibration.

Applications

- Military & commercial airborne equipment
- Computers and storage devices
- Optical devices & instrumentation
- Lasers
- Clinical diagnostic equipment

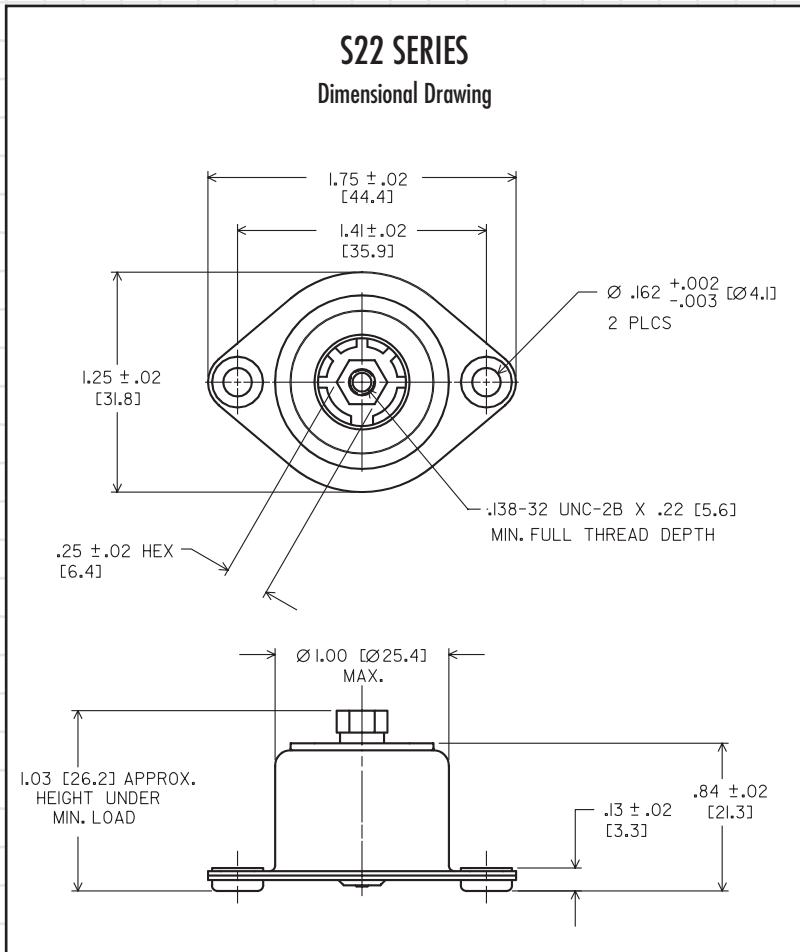
NATURAL FREQUENCY	7-10 Hertz vertical
TRANSMISSIBILITY AT RESONANCE	3.5 Max. at sea level Approx. 4.3 at 50,000 feet
RESILIENT ELEMENT	Air-damped spring
STANDARD MATERIALS	Varies with model
WEIGHT	S22 = 0.5 oz. S44 = 2.5 oz. S64 = 5.0 oz.

Environmental Data

- Silicone Air Chambers and Snubbers have operating temperature ranges of -67°F to +300°F (-55°C to +150°C).
- Mounts meet all applicable standards of MIL-C-172 and are fungus and oil resistant.

S Mount Series (S22)

Dimensions

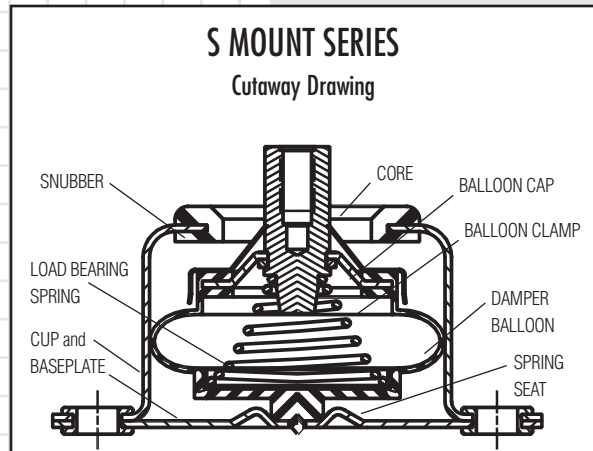


Dimensions and data are subject to change without notice.

For technical, design, or application assistance, call toll free:

1-800-BARRY MA

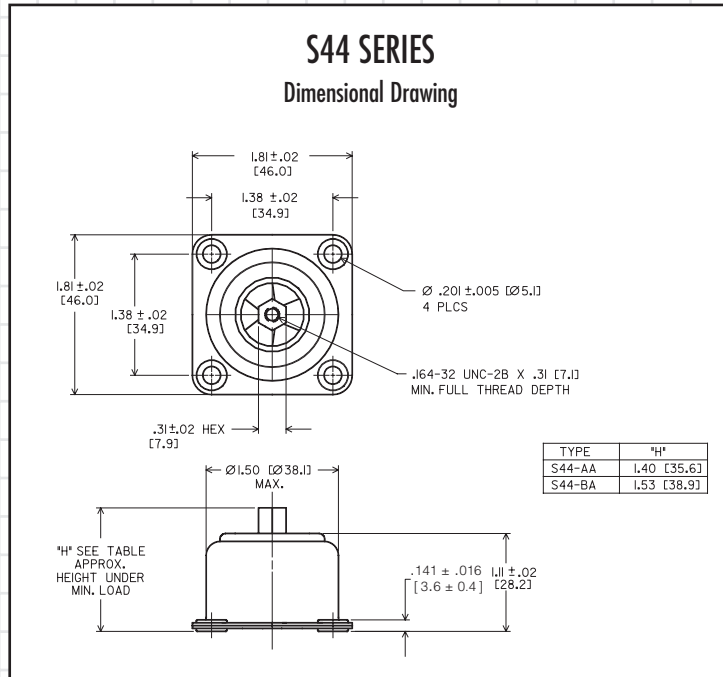
S22 LOAD RANGES	
Part #	Static Load Range / Isolator (lbs.)
S22-AA-0.5	0.3 - 0.5
S22-AA-0.8	0.5 - 0.8
S22-AA-1.1	0.6 - 1.1
S22-AA-1.5	0.9 - 1.5
S22-AA-2.2	1.3 - 2.2
S22-AA-3.0	2.2 - 3.0



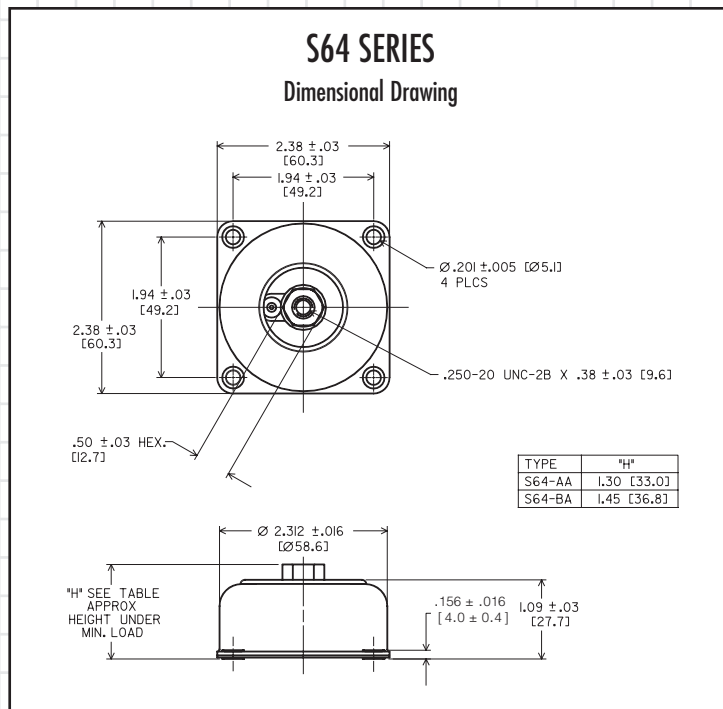
Barry Controls
40 Guest Street • Brighton, MA 02135-9105 • (617) 787-1555 • Fax (617) 787-7807

S Mount Series (S44/S64)

Dimensions & Load Range Data



S44 LOAD RANGES	
Part #	Static Load Range / Isolator (lbs.)
S44-AA-0.5 & BA-0.5	0.25-0.5
S44-AA-1.0 & BA-1.0	0.5-1.0
S44-AA-3.0 & BA-3.0	1.5-3.0
S44-AA-4.5 & BA-4.5	2.5-4.5
S44-AA-7.0 & BA-7.0	4.0-7.0
S44-AA-9.0 & BA-9.0	6.5-9.0



S64 LOAD RANGES	
Part #	Static Load Range / Isolator (lbs.)
S64-AA-4.5 & BA-4.5	3.0-4.5
S64-AA-6.0 & BA-6.0	3.5-6.0
S64-AA-10.0 & BA-10.0	6.0-10.0
S64-AA-12.5 & BA-12.5	9.5-12.5
S64-AA-20.0 & BA-20.0	12.5-20.0
S64-AA-25.0 & BA-25.0	19.0-25.0



Barry Controls
40 Guest Street • Brighton, MA 02135-9105 • (617) 787-1555 • Fax (617) 787-7807

Dimensions and data are subject to change without notice.

For technical, design, or application assistance, call toll free:

1-800-BARRY MA