

# GB530 MOUNT SERIES

## Features

- Steel construction
- Protects from vibratory inputs as low as 7 Hz
- Available in butyl upon special order

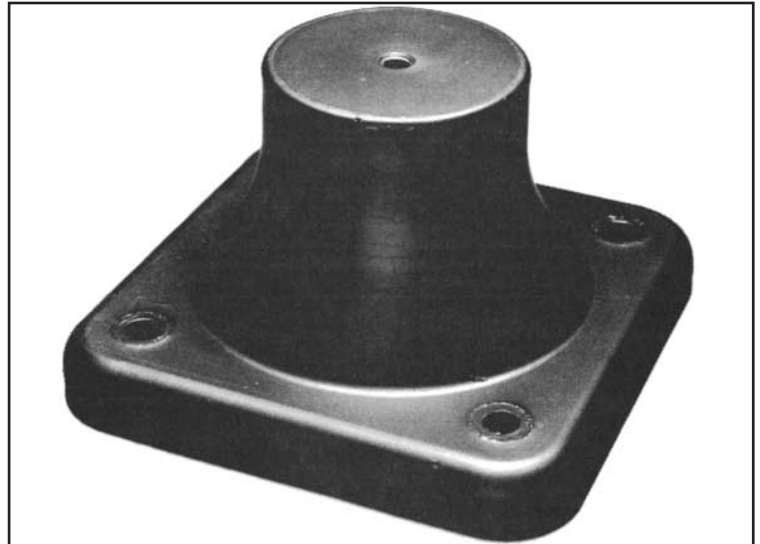
## Benefits

- Capable of large deflections under shock inputs
- Available in natural rubber with a transmissibility at resonance of approximately 10
- Excellent attenuation of structure borne noise in the range of 12.5-10,000 Hz

## Load Range

- Load range to 1,322 lbs. per isolator

Shock & vibration isolators protect naval equipment installed in high impact and shock loading environments.



Barry GB530 Series mounts provide large deflections under shock input and effective attenuation of structure-borne noise in the range of 12.5 - 10,000 Hertz. GB530 isolators are ideal for shipboard applications.

## Applications

- Naval sonar equipment
- Shipboard electronics
- Radar installations
- Protection of sensitive equipment and weaponry during transportation

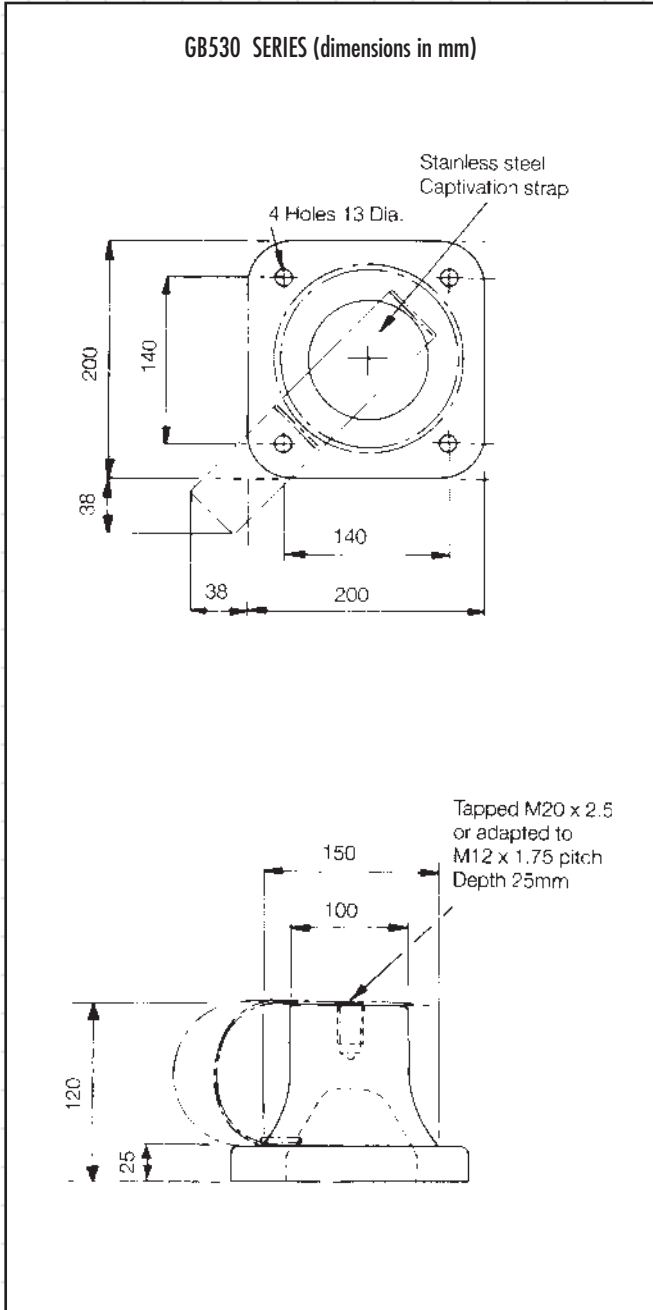
NATURAL FREQUENCY	As low as 7 Hertz
TRANSMISSIBILITY AT RESONANCE	10
RESILIENT ELEMENT	Natural rubber
STANDARD MATERIALS	Steel
WEIGHT	7.45 lbs.

## Environmental Data

- Natural rubber has an operating temperature range of -25°F to +160°F (-32°C to +71°C).

# GB530 Mount Series

## Dimensions & Performance Characteristics



Isolator Type	Min. load	Max. load
Natural Rubber		
GB530 (NR1)	16.5 lbs.	165 lbs.
GB530 (NR2)	33 lbs.	330 lbs.
GB530 (NR3)	55 lbs.	551 lbs.
GB530 (NR4)	88 lbs.	881 lbs.
GB530 (NR5)	132 lbs.	1,322 lbs.
Butyl		
GB530 (B2)	22 lbs.	220 lbs.
GB530 (B3)	26 lbs.	275 lbs.
GB530 (B4)	37 lbs.	374 lbs.
GB530 (B5)	44 lbs.	440 lbs.

- (M12) = Tapped top hole
- (M20) = Tapped top hole
- (FM) = Ferrous metal parts
- (NM) = Non magnetic parts
- (S) = Captivation strap
- (O) = Without captivation strap

GB530 - NR - M20 - NM - O Typical GB530 Part #



Barry Controls  
40 Guest Street • Brighton, MA 02135-9105 • (617) 787-1555 • Fax (617) 787-7807

Dimensions and data are subject to change without notice.

For technical, design, or application assistance, call toll free:

1-800-BARRY MA