

ME-MOUNT SERIES (ME100/ME500)

Features

- Compact, low-profile design
- Available in two sizes
- High deflection capability and compact size for light loads
- Axial to radial stiffness ratio 2:1

Benefits

- Can be used in tandem for extended deflection capability

Load Range

- ME-100 = 5 load ratings to 10 lbs. per mount
- ME-500 = 5 load ratings to 10 lbs. per mount

An effective isolation solution for installations where instrumentation is subjected to rugged environmental conditions.



ME Series Mounts are low frequency, free standing isolators which are environmentally resistant and operate over a wide temperature range. They are for use in isolating delicate instrumentation in mobile, military or office equipment applications.

Applications

- Militarized computer installations (such as disk drives)
- Vehicular mounted equipment
- Avionics
- Lightweight electrical equipment

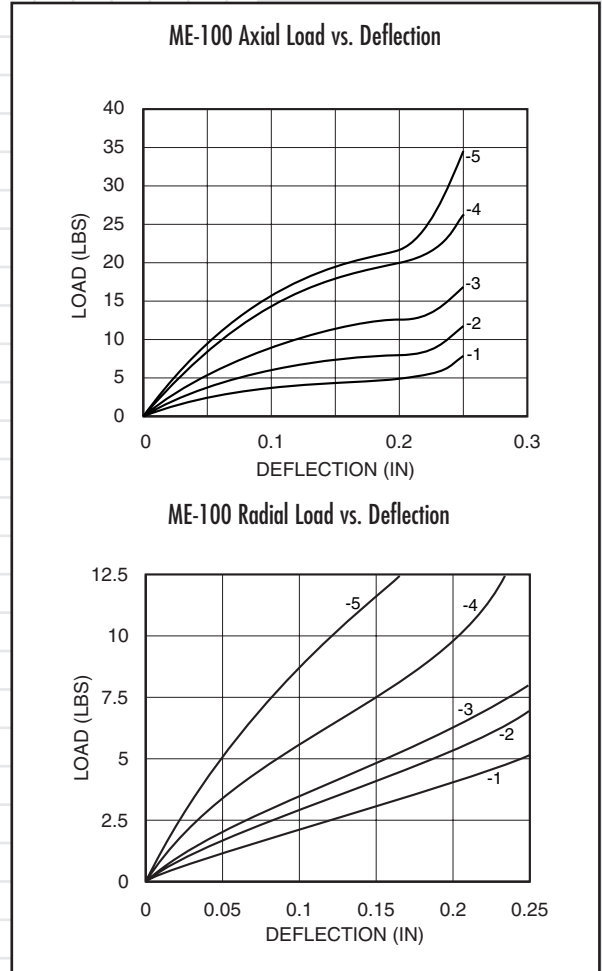
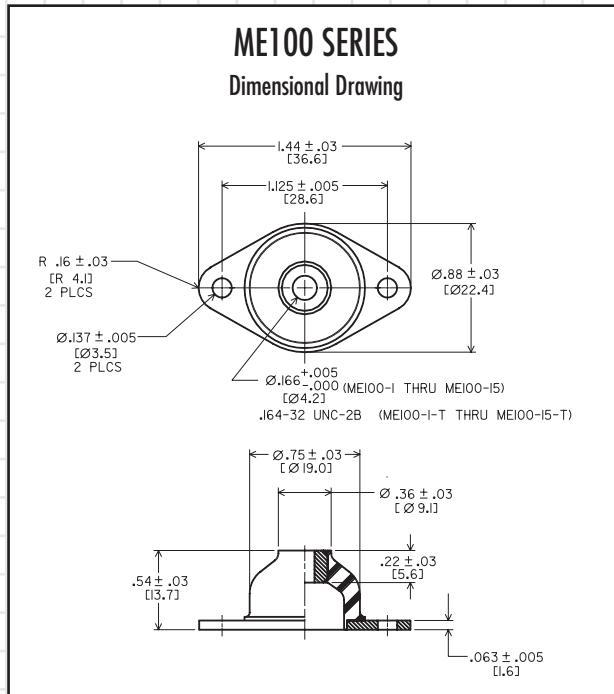
NATURAL FREQUENCY	12-20 Hertz
TRANSMISSIBILITY AT RESONANCE	10 Max.
RESILIENT ELEMENT	Neoprene
STANDARD MATERIALS	Aluminum
WEIGHT	ME-100 = 0.2 oz. ME-500 = 0.5 oz.

Environmental Data

- Operating temperature range is -20°F to +180°F (-30°C to +82°C).
- Resistant to oil, most solvents and ozone.
- Butyl and Barry LT available on special order where high damping and extended temperature performance characteristics are required.

ME100 Mount Series

Dimensions & Load Range Specifications



ME100 SERIES LOAD RATINGS				
Part #	Maximum Load (lbs.)		Axial Natural Frequency	Color Code
	Axial Compression	Radial		
ME100-1	2.50	1.40	14 Hz	Blue
ME100-2	3.75	1.90	14 Hz	Red
ME100-3	4.25	2.75	16 Hz	Green
ME100-4	6.50	3.75	16 Hz	Yellow
ME100-5	10.00	6.25	16 Hz	White



Barry Controls
 40 Guest Street • Brighton, MA 02135-9105 • (617) 787-1555 • Fax (617) 787-7807

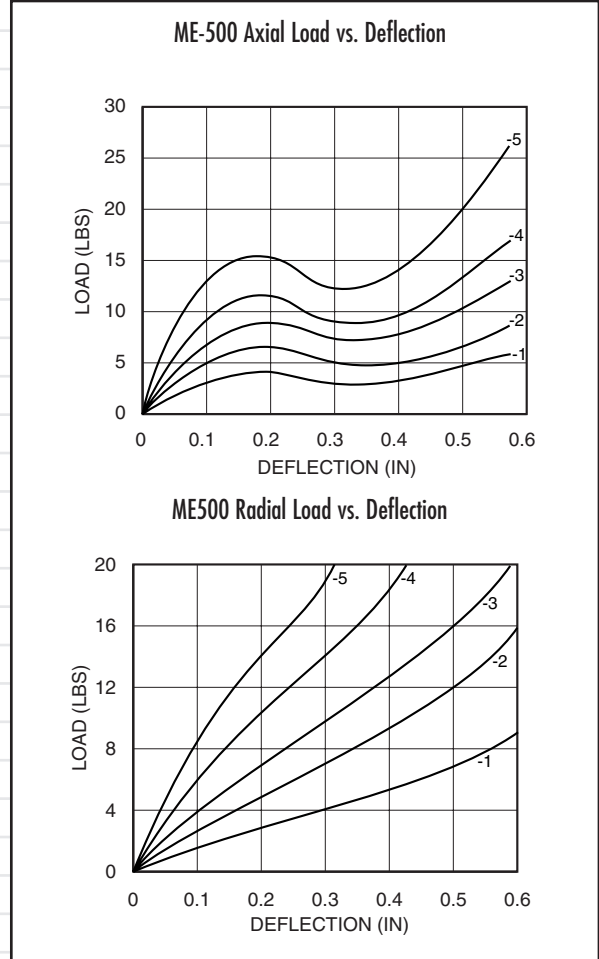
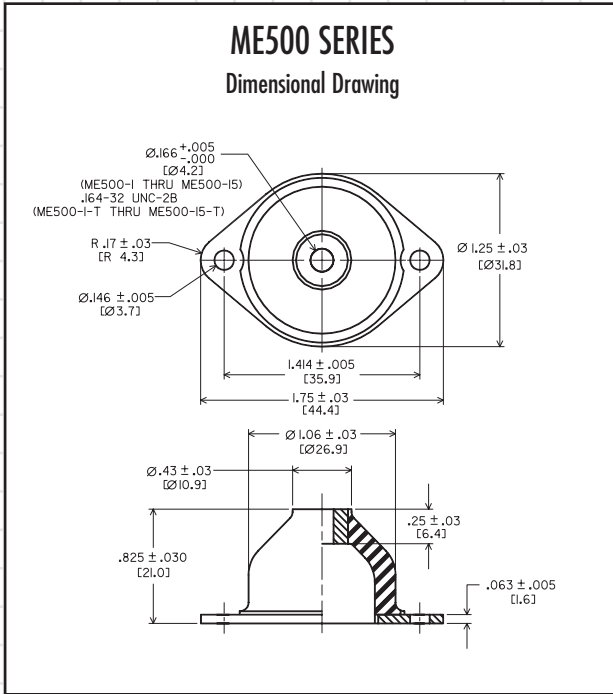
Dimensions and data are subject to change without notice.

For technical, design, or application assistance, call toll free:

1-800-BARRY MA

ME500 Mount Series

Performance Characteristics



ME500 SERIES LOAD RATINGS				
Part #	Maximum Load (lbs.)		Axial Natural Frequency	Color Code
	Axial Compression	Radial		
ME500-1	2.00	0.75	12 Hz	Blue
ME500-2	3.00	1.50	12 Hz	Red
ME500-3	5.00	2.25	12 Hz	Green
ME500-4	7.50	4.00	12 Hz	Yellow
ME500-5	10.00	5.50	12 Hz	White



Barry Controls
 40 Guest Street • Brighton, MA 02135-9105 • (617) 787-1555 • Fax (617) 787-7807

Dimensions and data are subject to change without notice.

For technical, design, or application assistance, call toll free:

1-800-BARRY MA