

6820 MOUNT SERIES

Features

- Compact, low-profile design
- Low cost isolator
- Wide load range for most applications

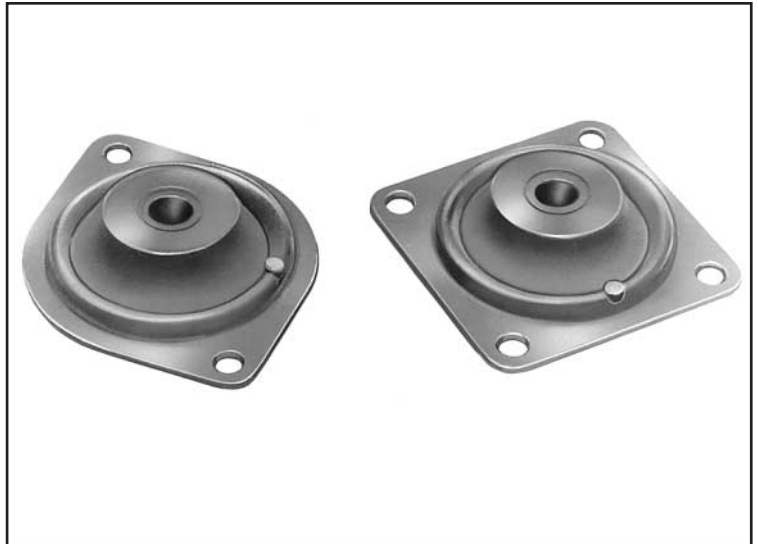
Benefits

- Compact size minimizes required mounting space
- Economical operation
- Design flexibility

Load Range

- 2 sizes to 80 lbs. per mount

Economical, low-frequency, low-profile mounts provide vibration and structure-borne noise control.



Barry 6820 Series Mounts are ideal for providing economical isolation from vibration and structure-borne noise for electronic equipment in cramped environments, such as instrument panels or for motors and generators.

Applications

- Electronic equipment where low-profile equipment installation is required
- Instrument panels
- Airborne electronics
- Motors & generators

NATURAL FREQUENCY	10-30 Hertz
TRANSMISSIBILITY AT RESONANCE	10.0 Max.
RESILIENT ELEMENT	Neoprene
STANDARD MATERIALS	Steel
WEIGHT	6821 = 1.0 oz. 6822 = 2.25 oz.

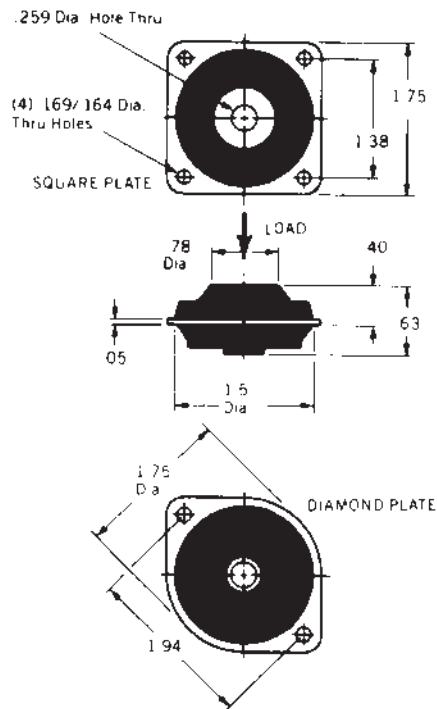
Environmental Data

- Hi-Damp Silicone is available as an elastomer option. Limits amplification at resonance to 4 or less. Operating temperature range is -67°F to +300°F (-55°C to +150°C).
- Neoprene version is standard and operational temperature range is -20°F to +180°F. Neoprene elastomer is resistant to oils and ozone (-55°C to +150°C).

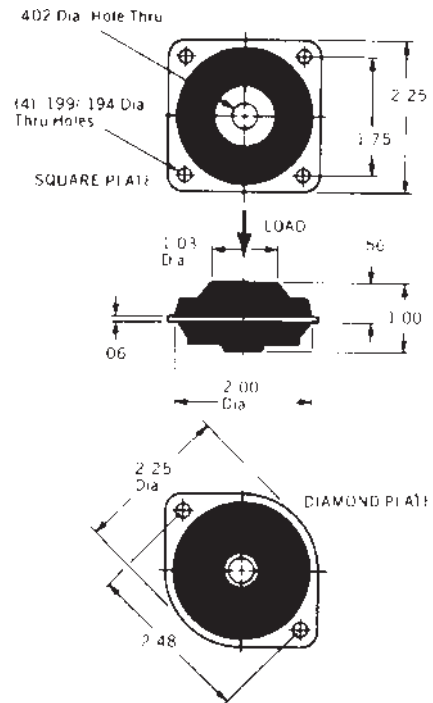
6820 Mount Series (6821/6822)

Dimensions & Load Ranges

6821 SERIES DIMENSIONAL DRAWING



6822 SERIES DIMENSIONAL DRAWING



LOAD RANGES - 6821 SERIES

Code	Min.	Norm.	Max.
-1	1.40	2.00	2.80
-2	2.50	4.00	5.50
-3	5.50	10.00	14.00

LOAD RANGES - 6822 SERIES

Code	Min.	Norm.	Max.
-1	14.00	20.00	28.00
-2	25.00	40.00	55.00
-3	40.00	60.00	80.00



Barry Controls
 40 Guest Street • Brighton, MA 02135-9105 • (617) 787-1555 • Fax (617) 787-7807

Dimensions and data are subject to change without notice.

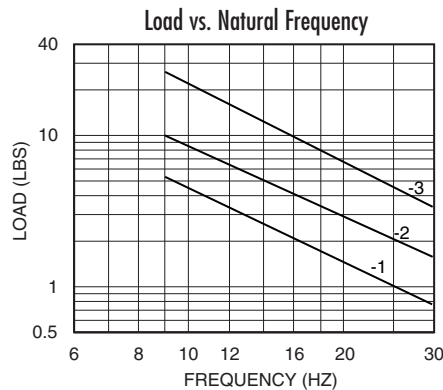
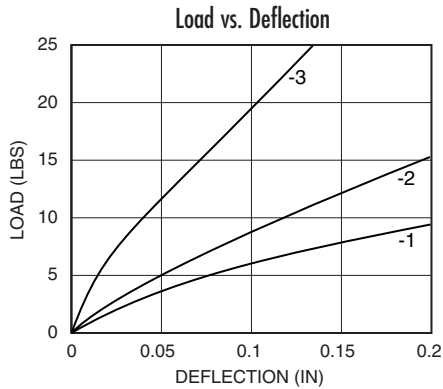
For technical, design, or application assistance, call toll free:

1-800-BARRY MA

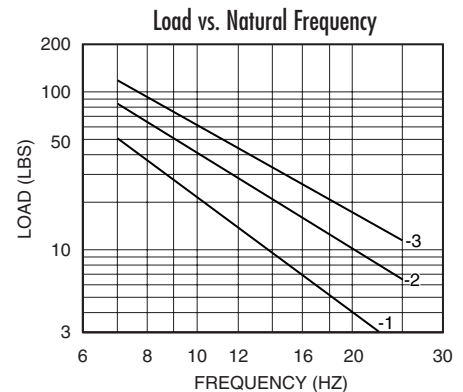
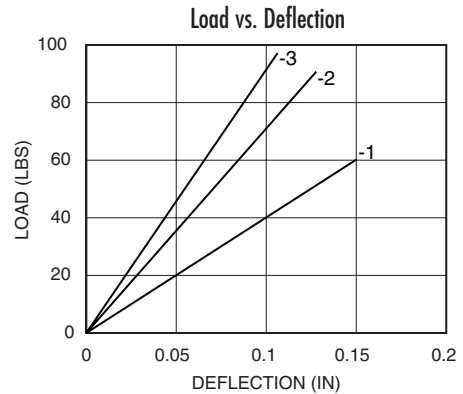
6820 Mount Series (6821/6822)

Performance Characteristics

6821 Series Performance Data



6822 Series Performance Data



HOW TO ORDER 6820 ISOLATORS

6822 - **1** - **S** - **N**

↑
 Basic Model # (6821/6822)
 Code For Load Rating (1/2/3)
 Configuration of Mounting (S=Square/D=Diamond)
 Elastomer (N=Neoprene, S=Hi-Damp Silicone)



Barry Controls
 40 Guest Street • Brighton, MA 02135-9105 • (617) 787-1555 • Fax (617) 787-7807

Dimensions and data are subject to change without notice.

For technical, design, or application assistance, call toll free:

1-800-BARRY MA