

CABLEMOUNT SERIES

Features

- All-attitude mounting
- Fail-safe design
- Available in a wide range of sizes and load ranges for most applications
- High damping

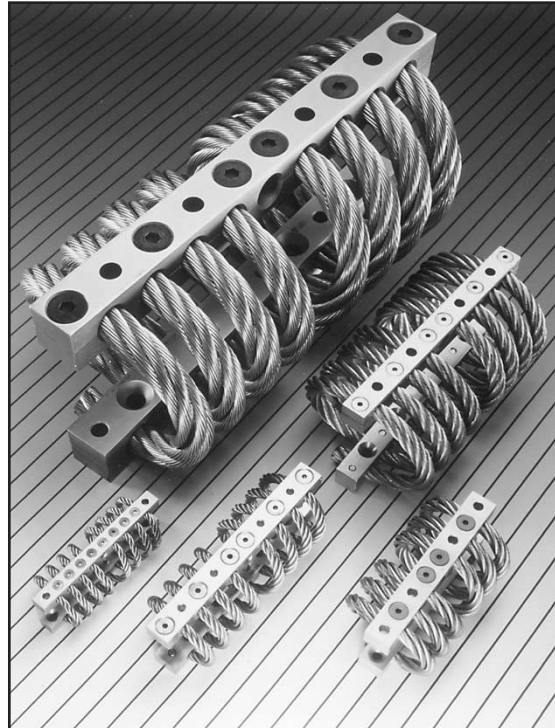
Benefits

- Performs efficiently without material degradation in hostile environments
- Ideal for use in high temperature and/or under corrosive conditions
- Many custom versions are available. Consult factory for more information

Load Range

- 11 styles to accommodate up to 1,500 lbs. per mount

Rugged, all metal cable type isolators offer excellent shock and vibration protection in hostile environments.



Cablemounts are designed to perform efficiently without material or performance degradation in extremely hostile environments. They are operational under wide extremes of temperature ranges and resist chemicals, oils and abrasives.

Applications

- Shipboard navigational, fire control and communications equipment
- On/Off road vehicles
- Motor/Generator sets
- Extreme temperature environments, such as engine compartments

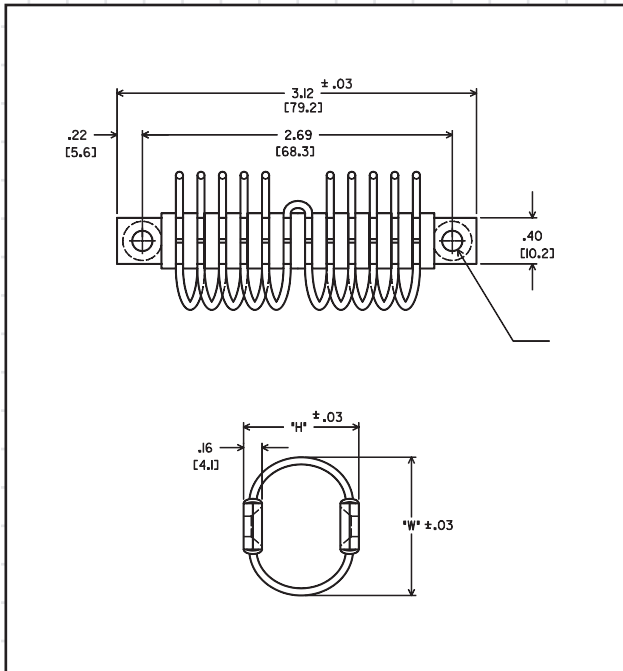
NATURAL FREQUENCY	10-20 Hertz
TRANSMISSIBILITY AT RESONANCE	3.5
RESILIENT ELEMENT	Stainless steel cable
STANDARD MATERIALS	Aluminum mounting bars

Environmental Data

- Operating temperature ranges of -400°F to +700°F (-240°C to +370°C).
- Applicable to military standards of MIL-STD-167 (vibration), MIL-S-901 (shock) and MIL-E-16400.
- Resistant to dust, oils, oil-based solvents, salt water and sand.

Cablemount Mount Series (CM00628)

Dimensions & Load Ratings



SUFFIX	MOUNTING HOLE CONFIGURATION
NONE	Standard Configuration as shown in drawing
- A	8-32 Threaded inserts in both retaining bars
- B	8-32 Threaded inserts in one retaining bar and standard configuration as shown in drawing in other retaining bar
- C	M4 x .7 Threaded inserts in both retaining bars
- D	M4 x .7 Threaded inserts in one retaining bar and standard configuration as shown in drawing in other retaining bar w/90° countersink
- E	Standard configuration as shown in drawing w/ 90° countersink

PART #	DIMENSIONS		COMPRESSION		SHEAR		ROLL		45° COMP/ROLL	
	H	W	Load Rating	Max. Deflection	Load Rating	Max. Deflection	Load Rating	Max. Deflection	Load Rating	Max. Deflection
CM00628-1	.70	1.00	14.0	.3	7.0	.3	6.5	.3	7.5	.7
CM00628-2	.80	1.10	8.5	.4	3.5	.4	3.5	.4	4.2	.7
CM00628-3	1.00	1.20	5.2	.5	1.6	.6	1.6	.6	3.4	.8
CM00628-4	1.10	1.30	4.8	.7	1.4	.7	1.4	.7	2.5	.9
CM00628-5	1.20	1.40	2.9	.8	1.3	.9	1.3	.9	1.9	.9
CM00628-6	1.30	1.50	2.5	.9	.7	.9	.7	.9	1.5	1.1

Natural Frequency at rated load = approx. 10 Hertz



Barry Controls
40 Guest Street • Brighton, MA 02135-9105 • (617) 787-1555 • Fax (617) 787-7807

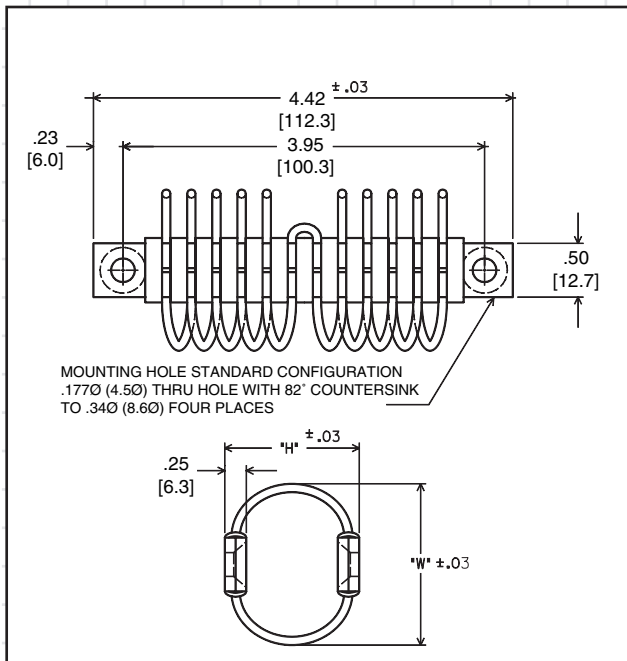
Dimensions and data are subject to change without notice.

For technical, design, or application assistance, call toll free:

1-800-BARRY MA

Cablemount Mount Series (CM00938)

Dimensions & Load Ratings



SUFFIX	MOUNTING HOLE CONFIGURATION
NONE	Standard Configuration as shown in drawing
- A	10-32 Threaded inserts in both retaining bars
- B	10-32 Threaded inserts in one retaining bar and standard configuration as shown in drawing in other retaining bar
- C	M5 x .8 Threaded inserts in both retaining bars
- D	M5 x .8 Threaded inserts in one retaining bar and standard configuration as shown in drawing in other retaining bar w/90° countersink
- E	Standard configuration as shown in drawing w/90° countersink

PART #	DIMENSIONS		COMPRESSION		SHEAR		ROLL		45° COMP/ROLL	
	H	W	Load Rating	Max. Deflection	Load Rating	Max. Deflection	Load Rating	Max. Deflection	Load Rating	Max. Deflection
CM00938-1	.90	1.10	50.0	.3	23.0	.4	15.0	.4	28.0	.8
CM00938-2	1.00	1.20	31.0	.3	10.0	.5	10.0	.5	19.0	.9
CM00938-3	1.10	1.30	25.0	.4	6.5	.5	6.5	.5	14.5	.9
CM00938-4	1.30	1.50	12.0	.5	4.0	.6	4.0	.6	9.0	.9
CM00938-5	1.40	1.60	9.5	.6	3.0	.7	3.0	.7	6.0	1.1
CM00938-6	1.50	1.70	7.5	.7	2.5	.8	2.5	.8	5.0	1.5

Natural Frequency at rated load = approx. 10 Hertz



Barry Controls
 40 Guest Street • Brighton, MA 02135-9105 • (617) 787-1555 • Fax (617) 787-7807

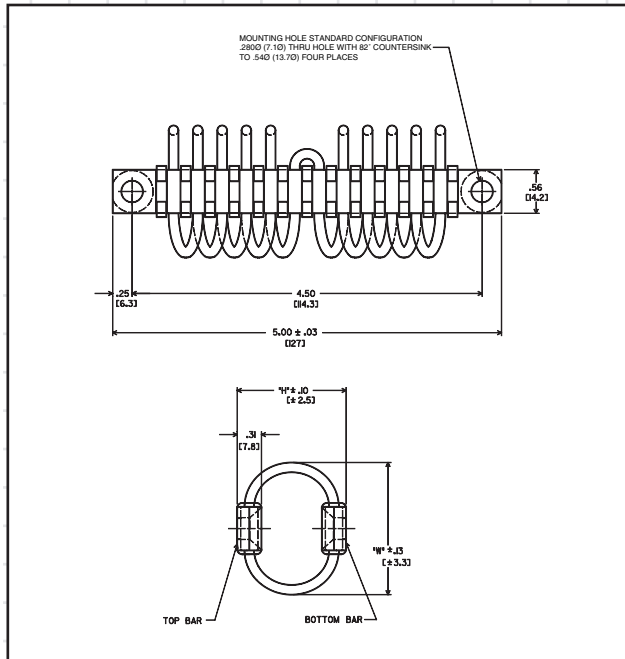
Dimensions and data are subject to change without notice.

For technical, design, or application assistance, call toll free:

1-800-BARRY MA

Cablemount Mount Series (CM01258)

Dimensions & Load Ratings



SUFFIX	MOUNTING HOLE CONFIGURATION
NONE	Standard Configuration as shown in drawing
- A	1/4 -20 Threaded inserts in both retaining bars
- B	1/4 -20 Threaded inserts in one retaining bar and standard configuration as shown in drawing in other retaining bar
- C	M6 x 1.0 Threaded inserts in both retaining bars
- D	M6 x 1.0 Threaded inserts in one retaining bar and standard configuration as shown in drawing in other retaining bar w/90° countersink
- E	Standard configuration as shown in drawing w/ 90° countersink

PART #	DIMENSIONS		COMPRESSION		SHEAR		ROLL		45° COMP/ROLL	
	H	W	Load Rating	Max. Deflection	Load Rating	Max. Deflection	Load Rating	Max. Deflection	Load Rating	Max. Deflection
CM01258-1	1.10	1.40	75.0	.2	30.0	.4	28.0	.4	55.0	.9
CM01258-2	1.20	1.50	68.0	.4	21.0	.6	24.0	.6	43.0	.9
CM01258-3	1.30	1.60	50.0	.5	19.0	.7	19.0	.7	33.5	1.0
CM01258-4	1.40	1.70	44.0	.7	13.0	.8	13.0	.8	25.0	1.1
CM01258-5	1.50	1.80	34.0	.7	12.0	.9	12.0	.9	21.0	1.2
CM01258-6	1.60	1.90	33.0	.7	10.0	.9	10.0	.9	19.0	1.5

Natural Frequency at rated load = approx. 10 Hertz



Barry Controls
40 Guest Street • Brighton, MA 02135-9105 • (617) 787-1555 • Fax (617) 787-7807

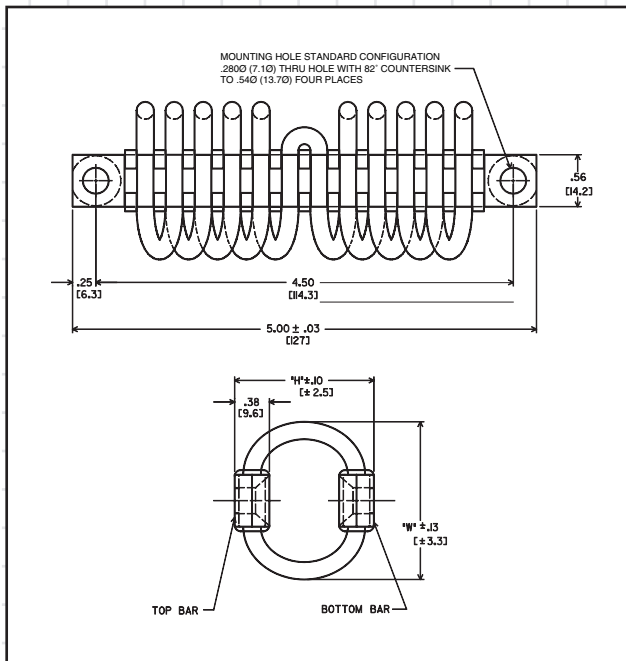
Dimensions and data are subject to change without notice.

For technical, design, or application assistance, call toll free:

1-800-BARRY MA

Cablemount Mount Series (CM01878)

Dimensions & Load Ratings



SUFFIX	MOUNTING HOLE CONFIGURATION
NONE	Standard Configuration as shown in drawing
- A	1/4 -20 Threaded inserts in both retaining bars
- B	1/4 -20 Threaded inserts in one retaining bar and standard configuration as shown in drawing in other retaining bar
- C	M6 x 1.0 Threaded inserts in both retaining bars
- D	M6 x 1.0 Threaded inserts in one retaining bar and standard configuration as shown in drawing in other retaining bar w/90° countersink
- E	Standard configuration as shown in drawing w/ 90° countersink

PART #	DIMENSIONS		COMPRESSION		SHEAR		ROLL		45° COMP/ROLL	
	H	W	Load Rating	Max. Deflection	Load Rating	Max. Deflection	Load Rating	Max. Deflection	Load Rating	Max. Deflection
CM01878-1	1.20	1.40	325	.3	160	.4	90	.4	370	.4
CM01878-2	1.30	1.50	190	.3	58	.4	63	.4	250	.6
CM01878-3	1.40	1.60	165	.4	55	.5	45	.5	230	.7
CM01878-4	1.50	1.70	150	.5	45	.5	35	.5	190	.9
CM01878-5	1.60	1.80	120	.7	38	.5	33	.5	150	.9
CM01878-6	1.70	1.90	100	.8	25	.6	31	.6	130	1.0

Natural Frequency at rated load = approx. 10 Hertz



Barry Controls
40 Guest Street • Brighton, MA 02135-9105 • (617) 787-1555 • Fax (617) 787-7807

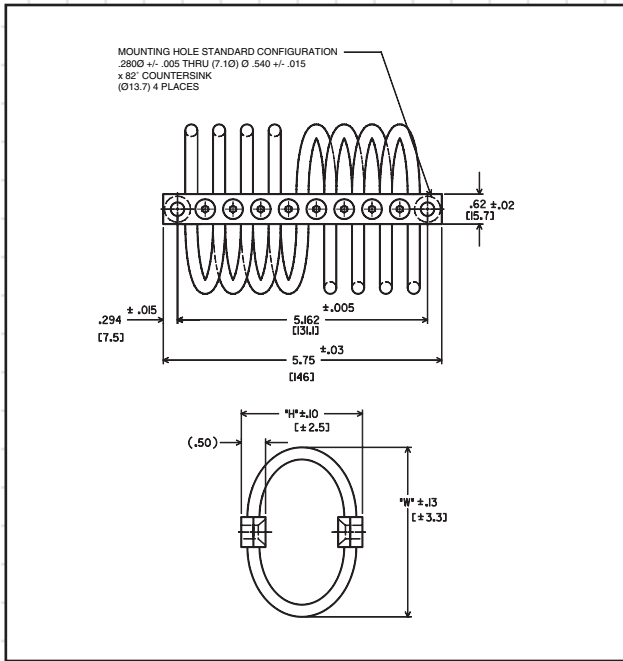
Dimensions and data are subject to change without notice.

For technical, design, or application assistance, call toll free:

1-800-BARRY MA

Cablemount Mount Series (CM02508)

Dimensions & Load Ratings



SUFFIX	MOUNTING HOLE CONFIGURATION
NONE	Standard Configuration as shown in drawing
- A	1/4 -28 Threaded inserts in both retaining bars
- B	1/4 -28 Threaded inserts in one retaining bar and standard configuration as shown in drawing in other retaining bar
- C	M6 x 1.0 Threaded inserts in both retaining bars
- D	M6 x 1.0 Threaded inserts in one retaining bar and standard configuration as shown in drawing in other retaining bar w/90° countersink
- E	Standard configuration as shown in drawing w/90° countersink

PART #	DIMENSIONS		COMPRESSION		SHEAR		ROLL		45° COMP/ROLL	
	H	W	Load Rating	Max. Deflection	Load Rating	Max. Deflection	Load Rating	Max. Deflection	Load Rating	Max. Deflection
CM02508-1	1.90	2.20	163	.6	69	.8	62	.8	90	1.5
CM02508-2	2.13	2.50	113	.8	45	1.0	40	1.0	65	1.8
CM02508-3	2.31	2.80	94	1.0	30	1.3	33	1.3	50	2.2
CM02508-4	2.50	3.13	63	1.1	20	1.6	23	1.6	38	2.3
CM02508-5	2.50	3.50	50	1.3	15	1.7	21	1.7	30	2.5
CM02508-6	2.63	3.75	43	1.5	13	1.9	20	1.9	24	2.7
CM02508-7	2.63	3.95	38	1.5	12	2.0	13	2.0	26	2.8
CM02508-8	3.25	4.25	29	2.0	9	2.2	12	2.2	18	3.0

Natural Frequency at rated load = approx. 10 Hertz



Barry Controls
 40 Guest Street • Brighton, MA 02135-9105 • (617) 787-1555 • Fax (617) 787-7807

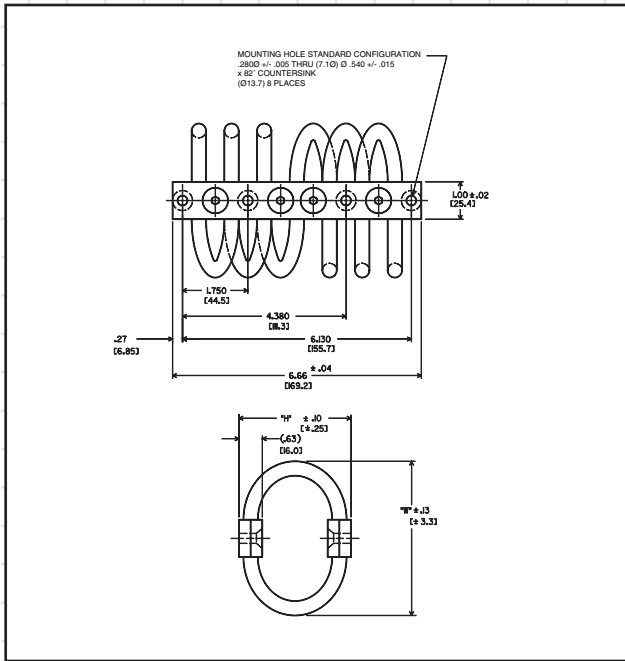
Dimensions and data are subject to change without notice.

For technical, design, or application assistance, call toll free:

1-800-BARRY MA

Cablemount Mount Series (CM03756)

Dimensions & Load Ratings



SUFFIX	MOUNTING HOLE CONFIGURATION
NONE	Standard Configuration as shown in drawing
- A	1/4 - 28 Threaded inserts in both retaining bars
- B	1/4 - 28 Threaded inserts in one retaining bar and standard configuration as shown in drawing in other retaining bar
- C	M6 x 1.0 Threaded inserts in both retaining bars
- D	M6 x 1.0 Threaded inserts in one retaining bar and standard configuration as shown in drawing in other retaining bar w/90° countersink
- E	Standard configuration as shown in drawing w/ 90° countersink

PART #	DIMENSIONS		COMPRESSION		SHEAR		ROLL		45° COMP/ROLL	
	H	W	Load Rating	Max. Deflection	Load Rating	Max. Deflection	Load Rating	Max. Deflection	Load Rating	Max. Deflection
CM03756-1	2.80	3.31	263	1.0	113	1.0	80	1.0	195	1.5
CM03756-2	2.90	3.50	244	1.1	48	1.1	66	1.1	180	2.0
CM03756-3	3.00	4.13	150	1.3	43	1.5	52	1.5	100	2.3
CM03756-4	3.25	4.25	131	1.5	29	1.6	44	1.6	90	2.8
CM03756-5	3.50	4.50	104	1.8	25	1.7	24	1.7	56	3.5
CM03756-6	4.13	4.75	94	2.0	23	2.0	21	2.0	52	4.0
CM03756-7	4.25	5.50	56	2.2	14	2.2	17	2.2	30	4.5

Natural Frequency at rated load = approx. 10 Hertz



Barry Controls
40 Guest Street • Brighton, MA 02135-9105 • (617) 787-1555 • Fax (617) 787-7807

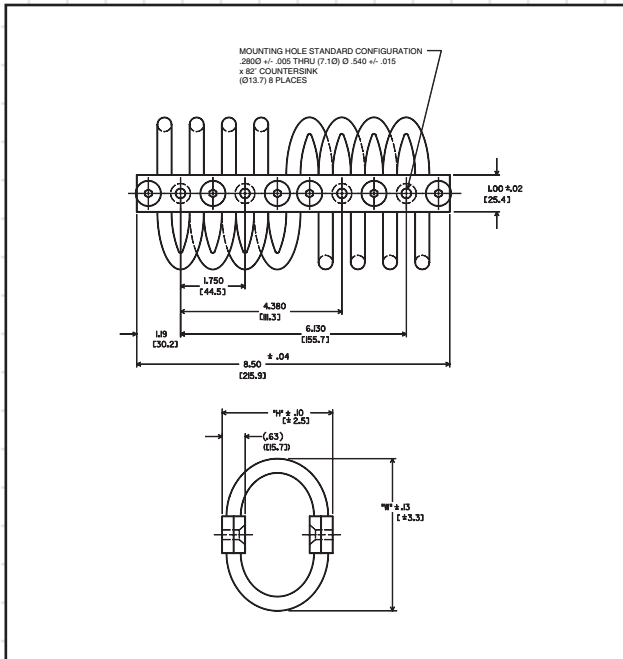
Dimensions and data are subject to change without notice.

For technical, design, or application assistance, call toll free:

1-800-BARRY MA

Cablemount Mount Series (CM03758)

Dimensions & Load Ratings



SUFFIX	MOUNTING HOLE CONFIGURATION
NONE	Standard Configuration as shown in drawing
- A	1/4 -28 Threaded inserts in both retaining bars
- B	1/4 - 28 Threaded inserts in one retaining bar and standard configuration as shown in drawing in other retaining bar
- C	M 6 x 1.0 Threaded inserts in both retaining bars
- D	M 6 x 1.0 Threaded inserts in one retaining bar and standard configuration as shown in drawing in other retaining bar w/90° countersink
- E	Standard configuration as shown in drawing w/ 90° countersink

PART #	DIMENSIONS		COMPRESSION		SHEAR		ROLL		45° COMP/ROLL	
	H	W	Load Rating	Max. Deflection	Load Rating	Max. Deflection	Load Rating	Max. Deflection	Load Rating	Max. Deflection
CM03758-1	2.80	3.31	350	1.0	150	1.0	106	1.0	260	1.5
CM03758-2	2.90	3.50	325	1.1	63	1.1	88	1.1	240	2.0
CM03758-3	3.00	4.13	200	1.3	60	1.5	69	1.5	135	2.3
CM03758-4	3.25	4.25	175	1.5	38	1.6	59	1.6	120	2.8
CM03758-5	3.50	4.50	138	1.8	34	1.7	30	1.7	75	3.5
CM03758-6	4.13	4.75	125	2.0	31	2.0	28	2.0	70	4.0
CM03758-7	4.25	5.50	75	2.2	19	2.2	22	2.2	40	4.5

Natural Frequency at rated load = approx. 10 Hertz



Barry Controls
40 Guest Street • Brighton, MA 02135-9105 • (617) 787-1555 • Fax (617) 787-7807

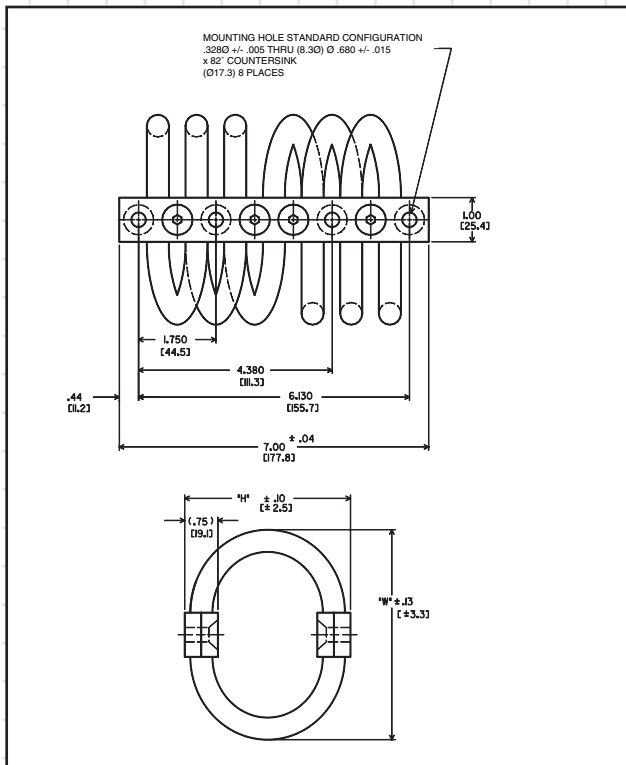
Dimensions and data are subject to change without notice.

For technical, design, or application assistance, call toll free:

1-800-BARRY MA

Cablemount Mount Series (CM05006)

Dimensions & Load Ratings



SUFFIX	MOUNTING HOLE CONFIGURATION
NONE	Standard Configuration as shown in drawing
- A	1/4 - 28 Threaded inserts in both retaining bars
- B	1/4 - 28 Threaded inserts in one retaining bar and standard configuration as shown in drawing in other retaining bar
- C	M 6 x 1.0 Threaded inserts in both retaining bars
- D	M 6 x 1.0 Threaded inserts in one retaining bar and standard configuration as shown in drawing in other retaining bar w/90° countersink
- E	Standard configuration as shown in drawing w/90° countersink

PART #	DIMENSIONS		COMPRESSION		SHEAR		ROLL		45° COMP/ROLL	
	H	W	Load Rating	Max. Deflection	Load Rating	Max. Deflection	Load Rating	Max. Deflection	Load Rating	Max. Deflection
CM05006-1	3.25	4.00	469	1.0	143	1.0	158	1.0	300	1.5
CM05006-2	3.50	4.13	356	1.1	113	1.1	120	1.1	225	2.0
CM05006-3	3.75	4.75	206	1.3	53	1.5	83	1.5	180	2.3
CM05006-4	4.25	5.25	150	1.5	41	1.6	56	1.6	128	2.8
CM05006-5	4.90	5.65	90	1.8	38	1.7	30	1.7	98	3.5
CM05006-6	5.40	6.13	75	2.0	26	2.0	26	2.0	68	4.0
CM05006-7	6.10	7.10	45	2.2	21	2.2	24	2.2	41	4.5

Natural Frequency at rated load = approx. 10 Hertz



Barry Controls
 40 Guest Street • Brighton, MA 02135-9105 • (617) 787-1555 • Fax (617) 787-7807

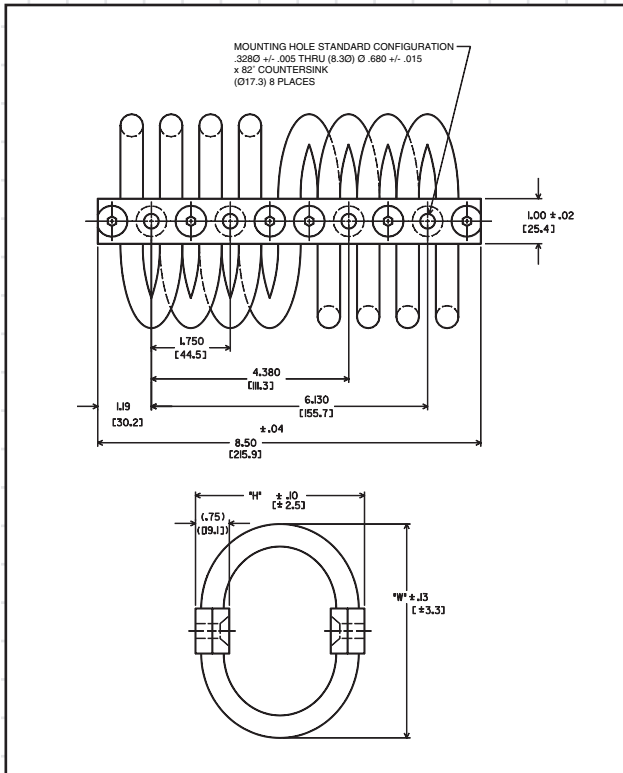
Dimensions and data are subject to change without notice.

For technical, design, or application assistance, call toll free:

1-800-BARRY MA

Cablemount Mount Series (CM05008)

Dimensions & Load Ratings



SUFFIX	MOUNTING HOLE CONFIGURATION
NONE	Standard Configuration as shown in drawing
- A	1/4 - 28 Threaded inserts in both retaining bars
- B	1/4 - 28 Threaded inserts in one retaining bar and standard configuration as shown in drawing in other retaining bar
- C	M 6 x 1.0 Threaded inserts in both retaining bars
- D	M 6 x 1.0 Threaded inserts in one retaining bar and standard configuration as shown in drawing in other retaining bar w/90° countersink
- E	Standard configuration as shown in drawing w/ 90° countersink

PART #	DIMENSIONS		COMPRESSION		SHEAR		ROLL		45° COMP/ROLL	
	H	W	Load Rating	Max. Deflection	Load Rating	Max. Deflection	Load Rating	Max. Deflection	Load Rating	Max. Deflection
CM05008-1	3.25	4.00	625	1.0	190	1.0	210	1.0	400	1.5
CM05008-2	3.50	4.13	475	1.1	150	1.1	160	1.1	300	2.0
CM05008-3	3.75	4.75	275	1.3	70	1.5	110	1.5	250	2.3
CM05008-4	4.25	5.25	200	1.5	55	1.6	75	1.6	170	2.8
CM05008-5	4.90	5.65	120	1.8	50	1.7	40	1.7	130	3.5
CM05008-6	5.40	6.13	100	2.0	38	2.0	35	2.0	90	4.0
CM05008-7	6.10	7.10	60	2.2	28	2.2	30	2.2	55	4.5

Natural Frequency at rated load = approx. 10 Hertz



Barry Controls
 40 Guest Street • Brighton, MA 02135-9105 • (617) 787-1555 • Fax (617) 787-7807

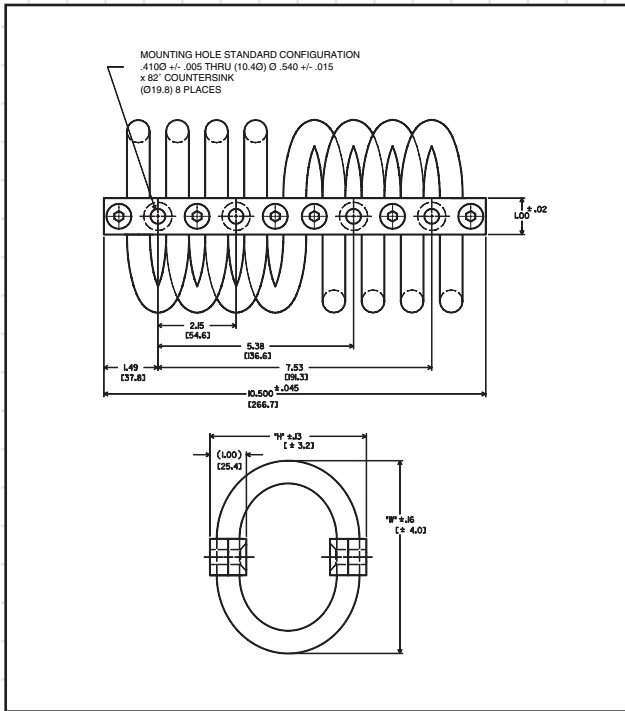
Dimensions and data are subject to change without notice.

For technical, design, or application assistance, call toll free:

1-800-BARRY MA

Cablemount Mount Series (CM06258)

Dimensions & Load Ratings



SUFFIX	MOUNTING HOLE CONFIGURATION
NONE	Standard Configuration as shown in drawing
- A	3/8 - 24 Threaded inserts in both retaining bars
- B	3/8 - 24 Threaded inserts in one retaining bar and standard configuration as shown in drawing in other retaining bar
- C	M 10 x 1.5 Threaded inserts in both retaining bars
- D	M 10 x 1.5 Threaded inserts in one retaining bar and standard configuration as shown in drawing in other retaining bar w/90° countersink
- E	Standard configuration as shown in drawing w/90° countersink

PART #	DIMENSIONS		COMPRESSION		SHEAR		ROLL		45° COMP/ROLL	
	H	W	Load Rating	Max. Deflection	Load Rating	Max. Deflection	Load Rating	Max. Deflection	Load Rating	Max. Deflection
CM06258-1	3.50	4.00	1300	1.2	325	1.2	200	1.2	800	1.8
CM06258-2	3.90	4.40	800	1.4	250	1.4	190	1.4	450	2.3
CM06258-3	4.30	5.30	625	1.8	130	1.8	150	1.2	325	2.8
CM06258-4	4.70	6.00	440	2.2	110	2.2	145	2.2	275	3.2
CM06258-5	5.00	6.50	350	2.5	70	2.5	130	2.5	175	3.6

Natural Frequency at rated load = approx. 10 Hertz



Barry Controls
 40 Guest Street • Brighton, MA 02135-9105 • (617) 787-1555 • Fax (617) 787-7807

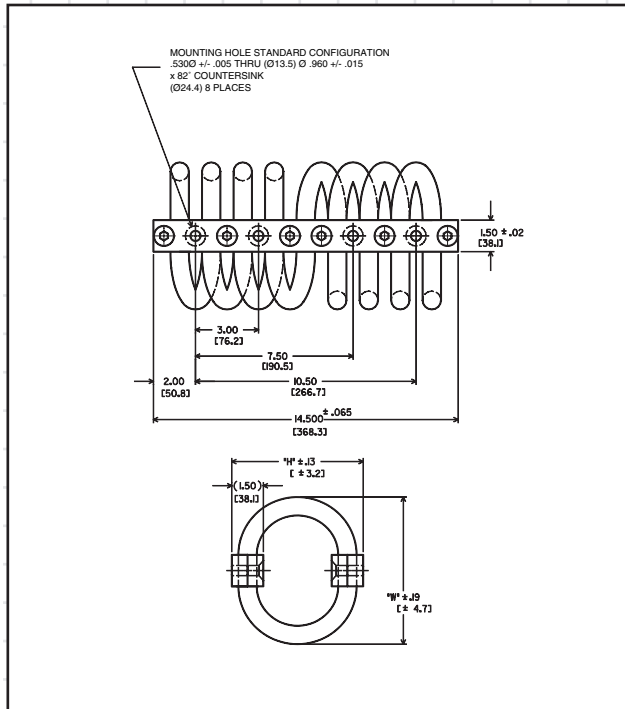
Dimensions and data are subject to change without notice.

For technical, design, or application assistance, call toll free:

1-800-BARRY MA

Cablemount Mount Series (CM08758)

Dimensions & Load Ratings



SUFFIX	MOUNTING HOLE CONFIGURATION
NONE	Standard Configuration as shown in drawing
- A	1/2 - 13 Threaded inserts in both retaining bars
- B	1/2 - 13 Threaded inserts in one retaining bar and standard configuration as shown in drawing in other retaining bar
- C	M 12 x 1.75 Threaded inserts in both retaining bars
- D	M 12 x 1.75 Threaded inserts in one retaining bar and standard configuration as shown in drawing in other retaining bar w/90° countersink
- E	Standard configuration as shown in drawing w/ 90° countersink

PART #	DIMENSIONS		COMPRESSION		SHEAR		ROLL		45° COMP/ROLL	
	H	W	Load Rating	Max. Deflection	Load Rating	Max. Deflection	Load Rating	Max. Deflection	Load Rating	Max. Deflection
CM08758-1	5.25	5.50	1500	1.8	400	2.1	350	2.1	875	2.5
CM08758-2	6.00	6.50	1000	2.1	300	2.6	300	2.6	750	3.2
CM08758-3	6.25	7.00	900	2.3	225	2.9	238	2.9	600	3.8
CM08758-4	7.50	8.25	600	3.4	125	3.3	138	3.3	450	4.7
CM08758-5	8.50	9.25	400	4.2	100	4.0	125	4.0	250	6.4

Natural Frequency at rated load = approx. 10 Hertz



Barry Controls
 40 Guest Street • Brighton, MA 02135-9105 • (617) 787-1555 • Fax (617) 787-7807

Dimensions and data are subject to change without notice.

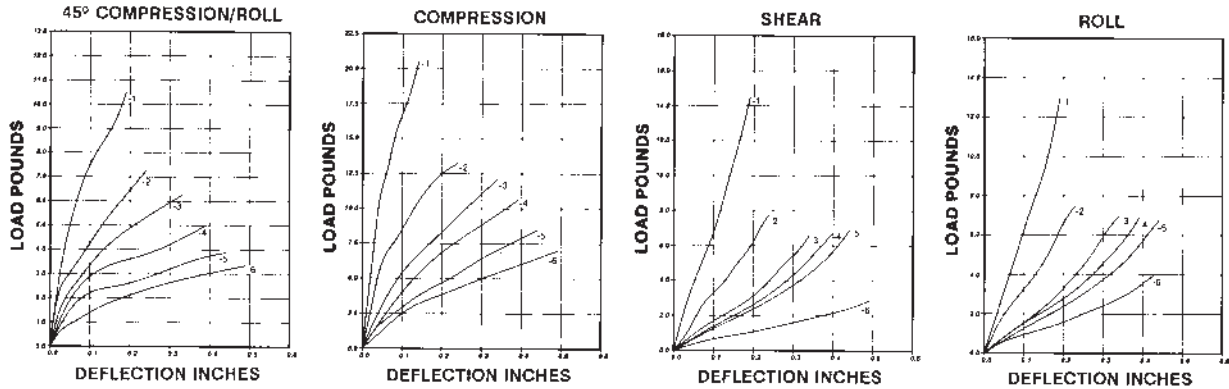
For technical, design, or application assistance, call toll free:

1-800-BARRY MA

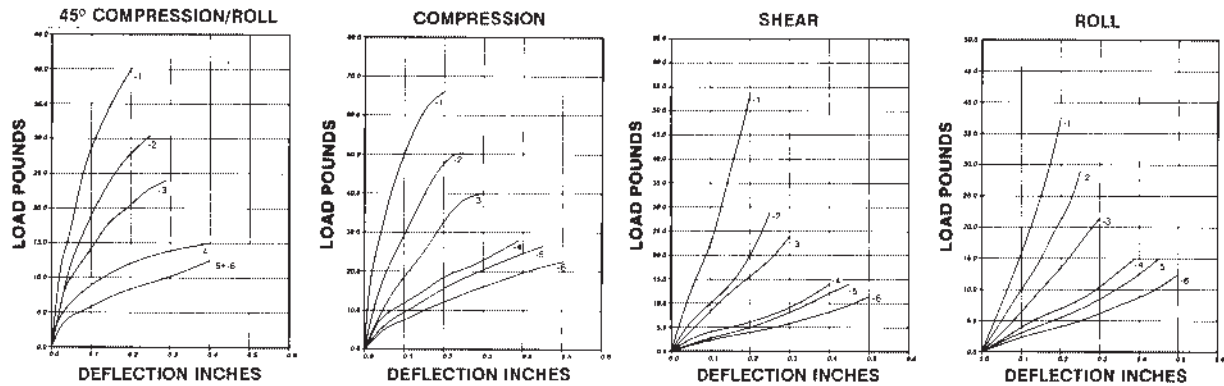
Cablemount Mount Series

Performance Characteristics

CM000628 PERFORMANCE CHARACTERISTICS



CM00938 PERFORMANCE CHARACTERISTICS



Barry Controls
 40 Guest Street • Brighton, MA 02135-9105 • (617) 787-1555 • Fax (617) 787-7807

Dimensions and data are subject to change without notice.

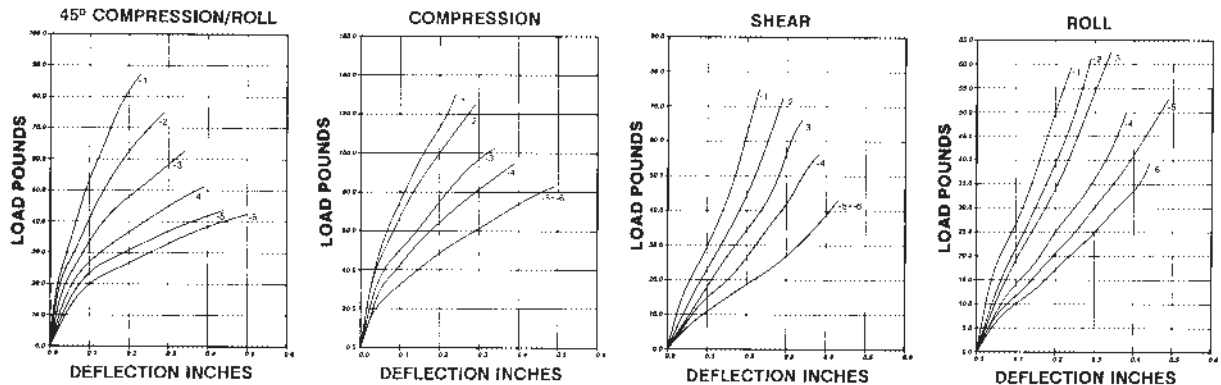
For technical, design, or application assistance, call toll free:

1-800-BARRY MA

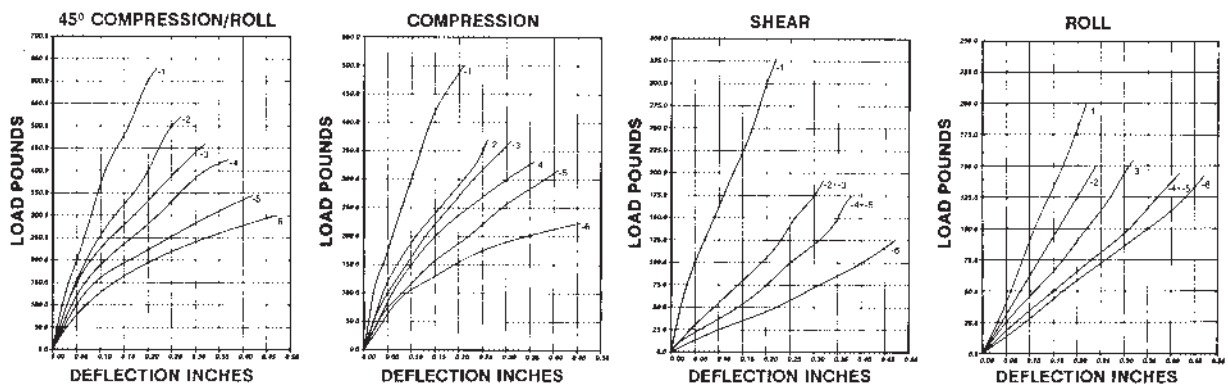
Cablemount Mount Series

Performance Characteristics

CM01258 PERFORMANCE CHARACTERISTICS



CM01878 PERFORMANCE CHARACTERISTICS



Barry Controls
40 Guest Street • Brighton, MA 02135-9105 • (617) 787-1555 • Fax (617) 787-7807

Dimensions and data are subject to change without notice.

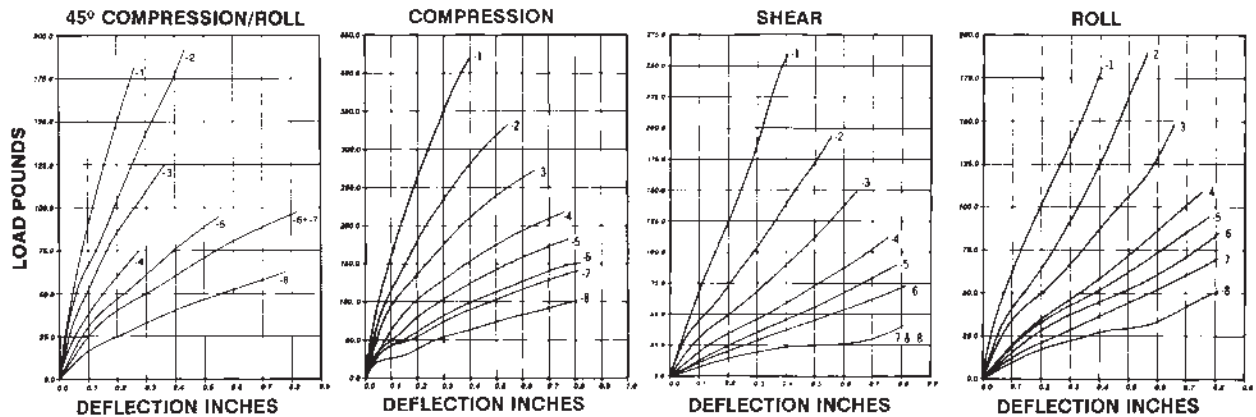
For technical, design, or application assistance, call toll free:

1-800-BARRY MA

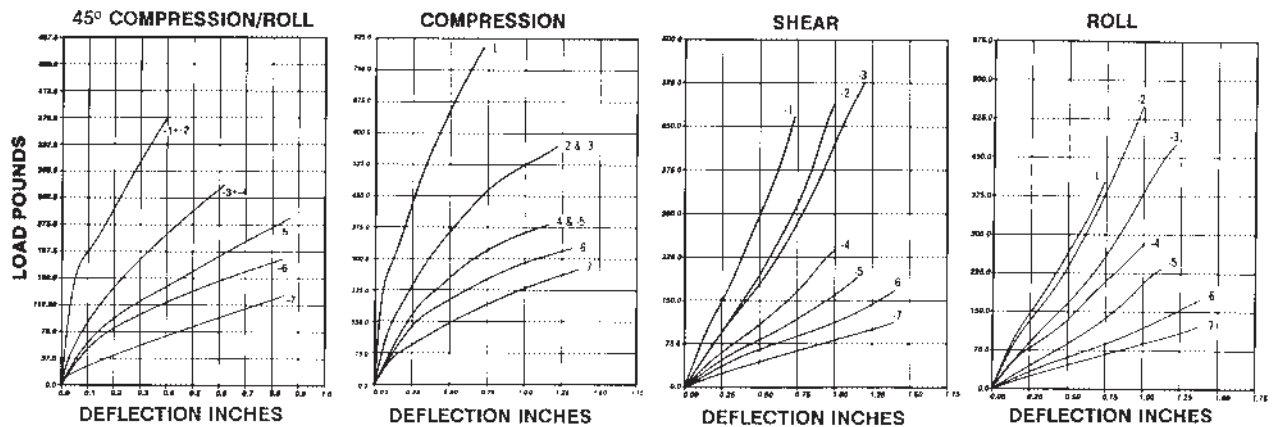
Cablemount Mount Series

Performance Characteristics

CM02508 PERFORMANCE CHARACTERISTICS



CM03756 PERFORMANCE CHARACTERISTICS



Barry Controls
40 Guest Street • Brighton, MA 02135-9105 • (617) 787-1555 • Fax (617) 787-7807

Dimensions and data are subject to change without notice.

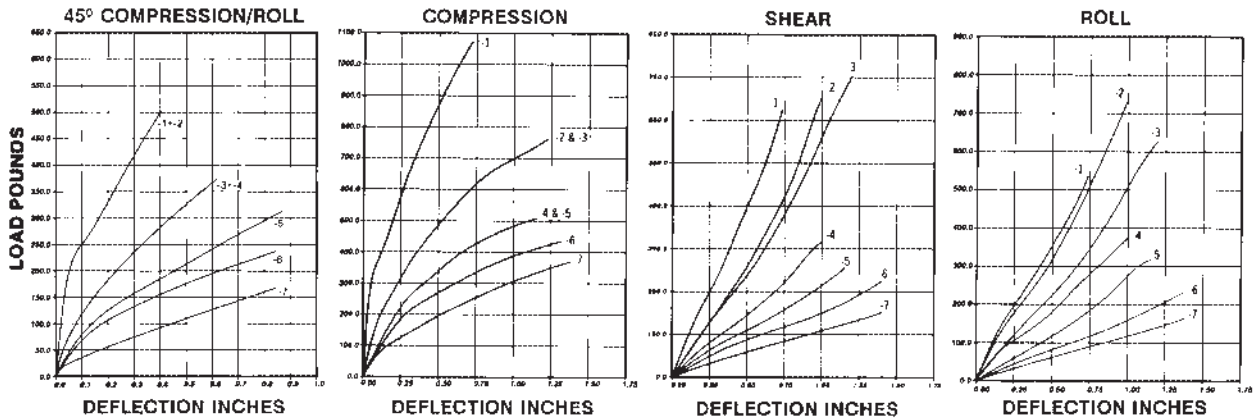
For technical, design, or application assistance, call toll free:

1-800-BARRY MA

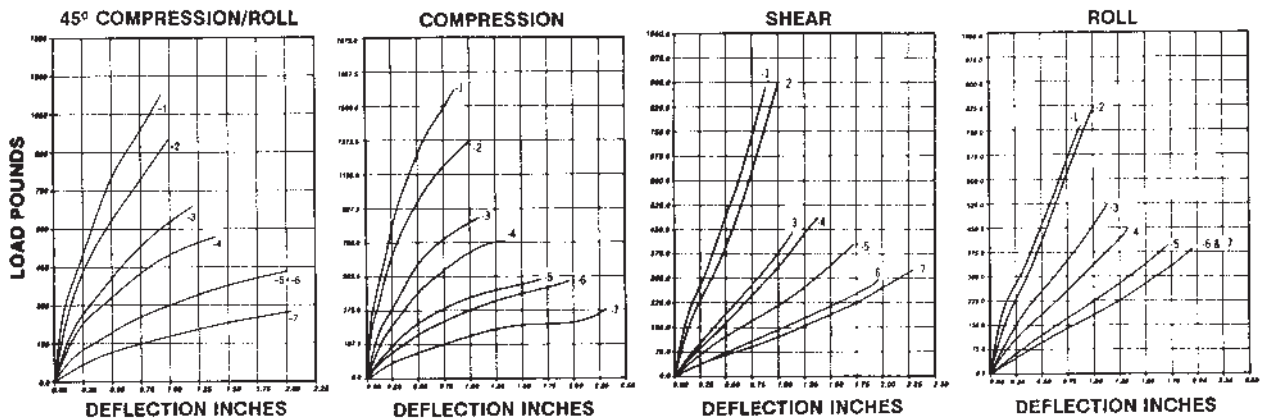
Cablemount Mount Series

Performance Characteristics

CM03758 PERFORMANCE CHARACTERISTICS



CM05006 PERFORMANCE CHARACTERISTICS



Barry Controls
40 Guest Street • Brighton, MA 02135-9105 • (617) 787-1555 • Fax (617) 787-7807

Dimensions and data are subject to change without notice.

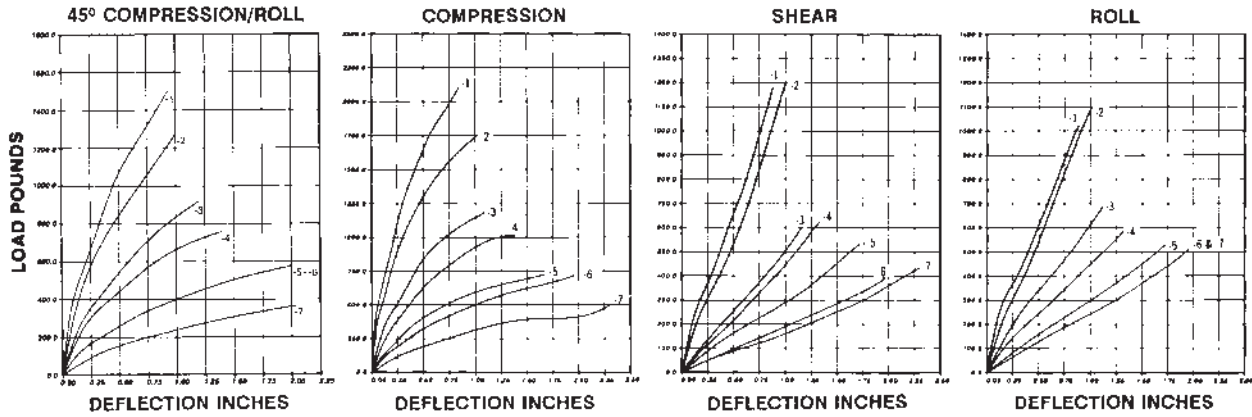
For technical, design, or application assistance, call toll free:

1-800-BARRY MA

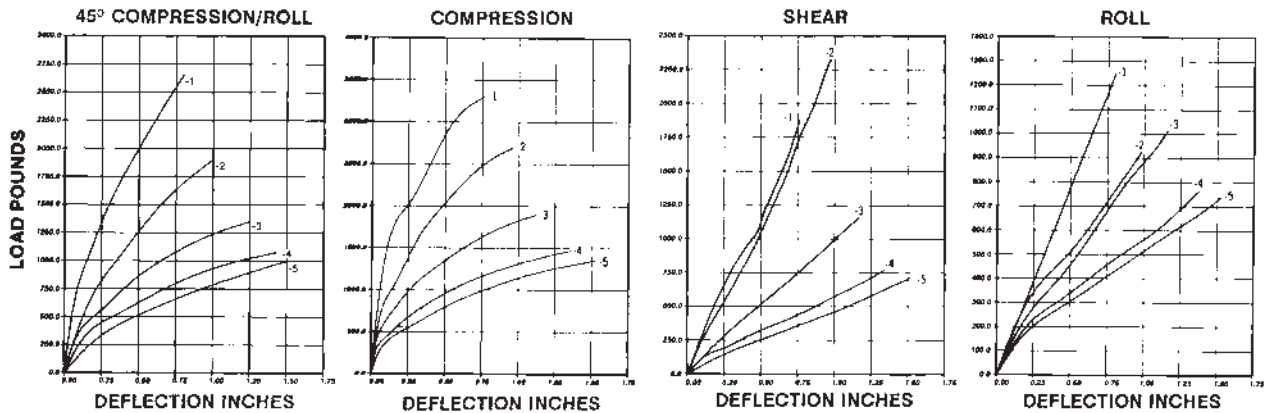
Cablemount Mount Series

Performance Characteristics

CM05008 PERFORMANCE CHARACTERISTICS



CM06258 PERFORMANCE CHARACTERISTICS



Barry Controls
40 Guest Street • Brighton, MA 02135-9105 • (617) 787-1555 • Fax (617) 787-7807

Dimensions and data are subject to change without notice.

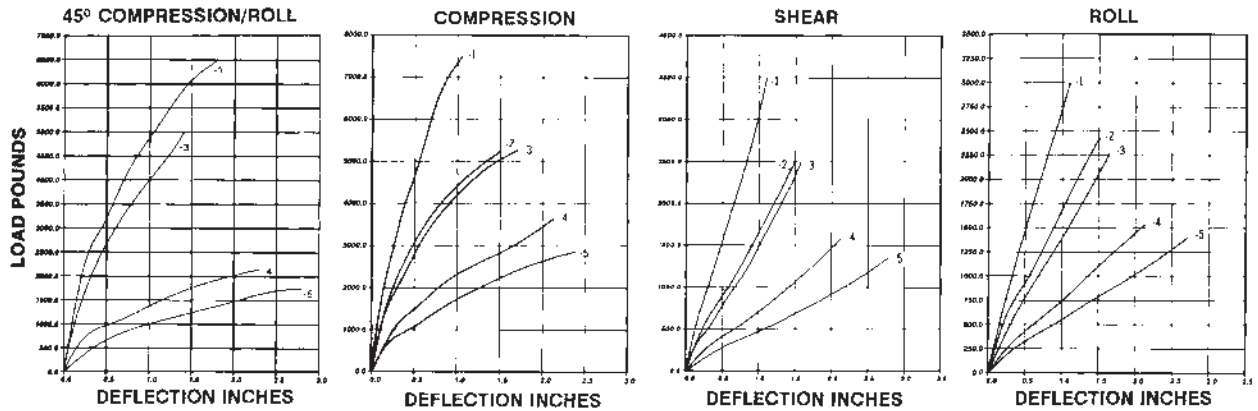
For technical, design, or application assistance, call toll free:

1-800-BARRY MA

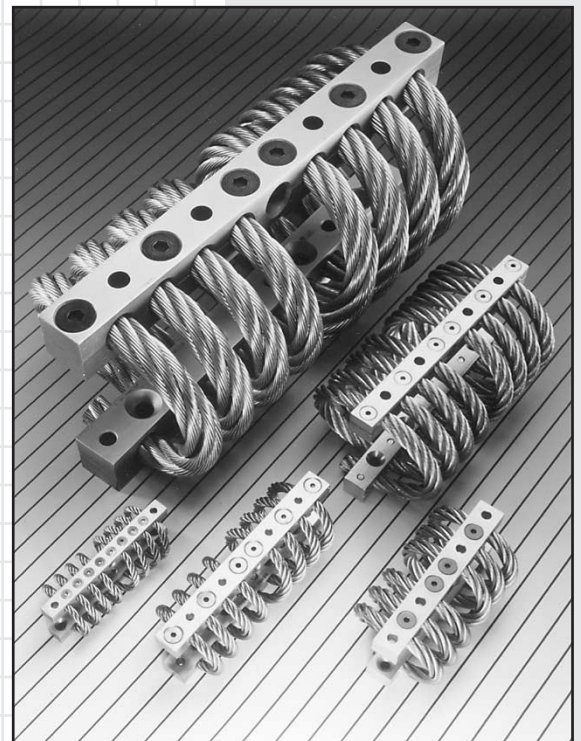
Cablemount Mount Series

Performance Characteristics

CM08758 PERFORMANCE CHARACTERISTICS



Dimensions and data are subject to change without notice.
 For technical, design, or application assistance, call toll free:
 1-800-BARRY MA



Barry Controls
 40 Guest Street • Brighton, MA 02135-9105 • (617) 787-1555 • Fax (617) 787-7807