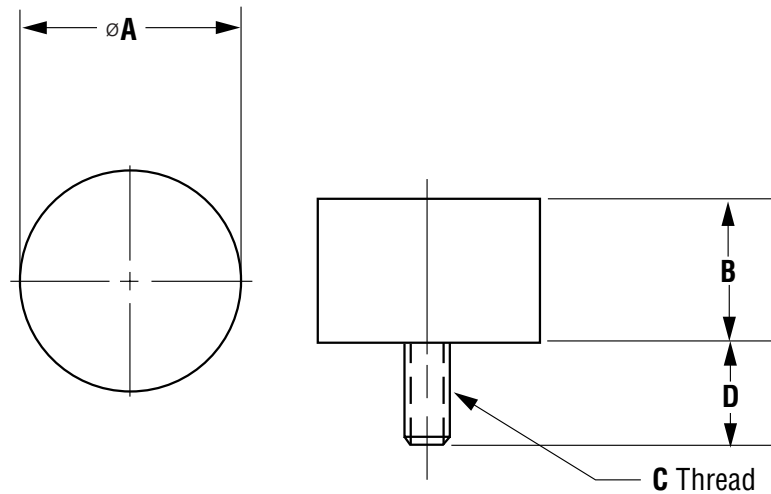


Cylindrical Stud Mounts: Bumpers (Male Stud only) Series

Dimensions & Performance Characteristics

BUMPERS (MALE STUD ONLY) SERIES
Dimensional Drawing (Inches)



| Part # | A | B | C | D | Max. Load (lbs.) Compression | Material |
|----------|-------|-------|----------|-------|------------------------------|----------------|
| 27051-03 | 0.438 | 0.438 | #6-32 | 0.250 | 3.0 | Natural Rubber |
| 27051-04 | 0.563 | 0.500 | #8-32 | 0.375 | 6.0 | Natural Rubber |
| 27051-05 | 0.750 | 0.625 | #10-32 | 0.375 | 15.0 | Natural Rubber |
| 27051-02 | 1.000 | 0.375 | 0.312-18 | 1.250 | 40.0 | Natural Rubber |
| 27051-06 | 1.000 | 0.375 | 0.312-18 | 0.625 | 45.0 | Natural Rubber |
| 27051-07 | 1.000 | 0.625 | 0.312-18 | 0.625 | 48.0 | Natural Rubber |
| 27051-08 | 1.000 | 0.750 | 0.250-20 | 0.500 | 35.0 | Natural Rubber |
| 27051-01 | 1.000 | 1.000 | 0.312-18 | 0.625 | 40.0 | Natural Rubber |
| 27051-09 | 1.250 | 0.750 | 0.312-18 | 0.625 | 50.0 | Natural Rubber |
| 27051-10 | 1.500 | 1.000 | 0.312-18 | 0.625 | 100.0 | Natural Rubber |
| 27051-11 | 1.500 | 1.000 | 0.375-16 | 0.625 | 100.0 | Natural Rubber |



Barry Controls
40 Guest Street • Brighton, MA 02135-9105 • (617) 787-1555 • Fax (617) 787-7807

Dimensions and data are subject to change without notice.

For technical, design, or application assistance, call toll free:

1-800-BARRY MA