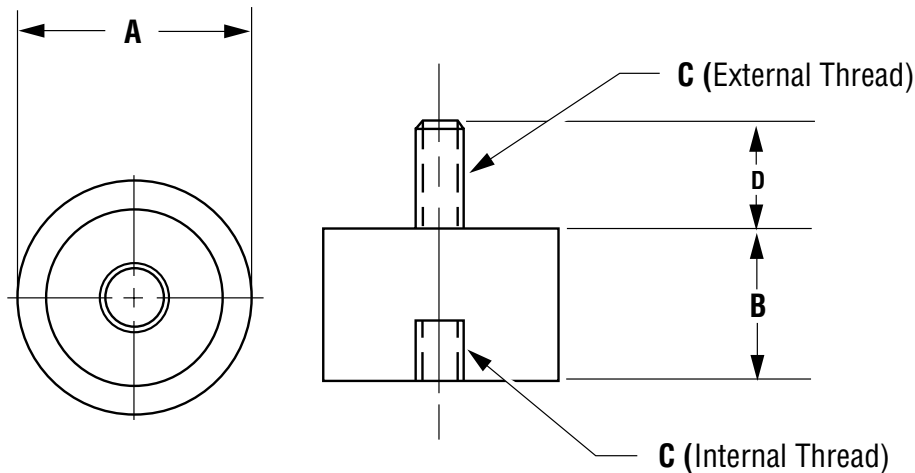


Stud Mounts: Stud/Insert (Male/Female)Series

Performance Characteristics

STUD/INSERT (MALE/FEMALE) SERIES

Dimensional Drawing (Inches)



Part #	A	B	C	D	Compression		Shear		Material
					Max. Load (lbs.)	Natural Frequency (Hz)	Max. Load (lbs.)	Natural Frequency (Hz)	
27052-01	0.438	0.438	#6-32	0.250	4.0	13.5	1.0	12.0	Natural Rubber
27052-02	0.438	0.438	#8-32	0.250	4.0	13.5	1.0	12.0	Natural Rubber
27052-07	0.563	0.500	#10-32	0.375	8.0	19.0	2.0	20.0	Natural Rubber
27052-04	0.563	0.500	#8-32	0.250	14.0	12.5	8.0	11.0	Natural Rubber
27052-08	0.563	0.500	#8-32	0.250	25.0	13.0	12.0	12.0	Natural Rubber
27052-06	0.750	0.625	#10-32	0.375	18.0	11.0	3.0	9.5	Natural Rubber
27052-09	1.000	0.750	0.250-20	0.500	40.0	9.5	12.0	10.0	Natural Rubber
27052-10	1.000	0.750	0.250-20	0.500	95.0	13.0	40.0	10.0	Natural Rubber
27052-11	1.000	0.750	0.250-20	0.500	60.0	13.0	33.0	10.0	Natural Rubber
27052-05	1.000	1.000	0.250-20	0.500	35.0	9.0	10.0	8.0	Natural Rubber
27052-12	1.000	1.000	0.312-18	0.500	35.0	12.0	10.0	10.0	Natural Rubber
27052-03	1.250	1.000	0.312-18	0.625	50.0	9.0	12.0	7.0	Natural Rubber
27052-13	1.500	1.375	0.375-16	0.625	75.0	10.0	15.0	12.0	Natural Rubber
27052-14	1.500	1.375	0.375-16	0.625	100.0	10.0	20.0	12.0	Natural Rubber



Barry Controls
40 Guest Street • Brighton, MA 02135-9105 • (617) 787-1555 • Fax (617) 787-7807

Dimensions and data are subject to change without notice.

For technical, design, or application assistance, call toll free:

1-800-BARRY MA